

# APR 25/40 APR 25/50

## REVERSIBLE VIBRATORY PLATE



### AN ALL-AROUND PERFORMER

The APR 25/40 and APR 25/50 offer you multiple options with available working widths of 38 cm (15 in) or 50 cm (19.7 in). This all-around machines perform in varied applications and on varied surfaces, plus they offers an optional water sprinkler system for work on asphalt. The APR 25/40 and APR 25/50 have the ability to move back and forth and provide “on-the-spot” vibration for particularly stubborn materials. Permanently mounted transport wheels are another productivity-boosting option offered.

#### PRODUCTIVITY

##### **Superior compaction performance**

Powerful vibratory system generates high compaction forces for fast, comprehensive compaction.

##### **Unmatched speed**

Balanced base plate enables superior mobility and high working speed.

##### **Hydrostatic steering control**

Provides simple control and high accuracy even in confined areas.

#### ERGONOMICS

##### **Low-vibration guide handle**

Industry-leading HAV values below 2.5 m/sec<sup>2</sup> (8.2 ft/sec<sup>2</sup>) protect operator and eliminate need for time-consuming record keeping.

##### **Convenient guide handle**

Ergonomically optimised for ideal machine control during the working shift.

##### **Secure transport**

Machine is easily secured during transport for convenience and safety.

#### SERVICEABILITY

##### **Toolless daily inspection**

Quick and easy daily inspection.

##### **Simplified maintenance work**

Service and regular maintenance points are quick and easily accessible.

##### **Protective frame and covers**

Protects all key components against damage on the jobsite or during transport.

#### APPLICATIONS

- Earthwork and paving applications
- Road and rail track construction
- Compaction work in narrow trenches, confined areas
- Landscape and gardening
- Foundation work
- Sensitive surfaces (with optional rubber mats for stone protection)

**AMMANN**

TECHNICAL SPECIFICATIONS  
APR 25/40 & APR 25/50 REVERSIBLE VIBRATORY PLATE

## WEIGHT & DIMENSIONS

	APR 25/40	APR 25/50
MACHINE WEIGHT	135 kg (298 lb)	135 kg (298 lb)
MACHINE WEIGHT (WITH OPTIONS)	146 kg (322 lb)	146 kg (322 lb)
A BASE PLATE LENGHT	330 mm (13.0 in)	330 mm (13.0 in)
B MACHINE LENGHT	700 mm (27.6 in)	700 mm (27.6 in)
C WITH HANDLE	1140 mm (44.9 in)	1140 mm (44.9 in)
D MACHINE HEIGHT	755 mm (29.7 in)	755 mm (29.7 in)
E HANDLE HEIGHT (WORK)	1000 mm (39.4 in)	1000 mm (39.4 in)
F HANDLE HEIGHT (TRANSPORT)	1180 mm (46.5 in)	1180 mm (46.5 in)
G MACHINE WIDTH	380 mm (15.0 in)	500 mm (19.7 in)

## COMPACTION FORCES

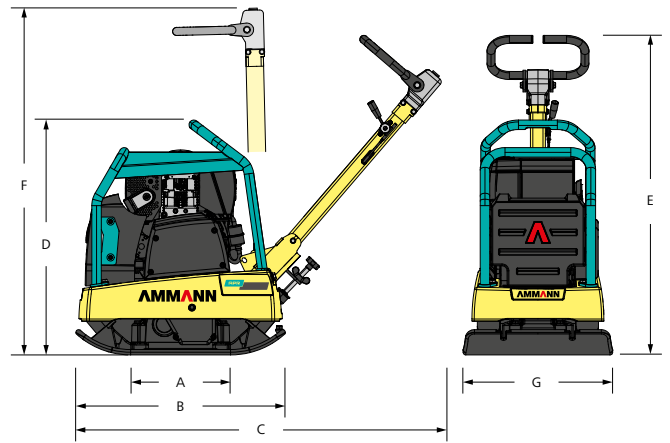
MAX. VIBRATION FREQUENCY	95 Hz (5700 vpm)	95 Hz (5700 vpm)
MAX. CENTRIFUGAL FORCE	25 kN (5620 lbf)	25 kN (5620 lbf)
WORKING SURFACE	479 m <sup>2</sup> /h (5154 ft <sup>2</sup> /h)	630 m <sup>2</sup> /h (6781 ft <sup>2</sup> /h)
SPEC. SURFACE PRESSURE	19,9 N/cm <sup>2</sup> (28,9 psi)	15,2 N/cm <sup>2</sup> (22 psi)
AMPLITUDE	1.5 mm (0.1 in)	1.5 mm (0.1 in)

## MISCELLANEOUS

HAND-ARM VIBRATIONS	< 2.5m/sec <sup>2</sup>	< 2.5m/sec <sup>2</sup>
SPEED	21 m/min (69 ft/min)	21 m/min (69 ft/min)
FUEL TANK	3.0 l (0.8 gal)	3.0 l (0.8 gal)
GRADEABILITY	35%	35%
MAX. INCLINE TO ALL SIDES	30°	30°
WATER TANK	9.4 l (2.5 gal)	9.4 l (2.5 gal)

### STANDARD EQUIPMENT

- Sturdy protection frame with central lifting point
- Vibration isolated handle bar
- Powerful and reliable diesel engine
- 2-shaft exciter with long service intervalls
- Well protected, sturdy certrifugal clutch with wear resistant V-Belt
- 3 year extended warranty program



## ENGINE

ENGINE	Hatz 1B20	Hatz 1B20
FUEL	Diesel	Diesel
ENGINE OUTPUT AT RPM	3.1 kW / 4.2 HP 3000	3.1 kW / 4.2 HP 3000
FUEL CONSUMPTION	0.9 l/h (0.2 gal/h)	0.9 l/h (0.2 gal/h)



### OPTIONAL EQUIPMENT

- Transport wheels
- Toolless mountable rubber mat for applications on paving stones (only with APR 25/50)
- Water tank & sprinkler system (only with APR 25/50)
- Hour meter