

# ABG 6870

## ASPHALT PAVERS WHEELED

EU STAGE V



### Versatile performer

- ABG 6x6 or 6x4 wheel drive system with superior traction
- Hydraulic self-levelling suspension system with three-point balance\*
- Load dependent torque control prevents wheel spin
- Active steering for excellent manoeuvrability
- Large wheels for high drive force
- Travelling speed of up to 20 km/h

### Powerful and efficient

- Powertrain components are perfectly harmonised for high efficiency
- Volvo (Deutz) Stage V engine offers unrivalled durability and performance
- Adaptive Eco Mode matches engine output to jobsite requirements
- Electronically adapted speed of the hydraulic cooling fan lowers noise and fuel consumption
- Grid power for heating the screed with e+ screed heat, no fuel + no CO<sub>2</sub>

### Paving made easy

- Intuitive Electronic Paver Manager system EPM3
- Integrated levelling equipment
- Hopper lock from the platform
- Settings Manager to store and save customised settings
- Pave Assist with Thermal Profiling, Weather view and Material Manager
- A very low noise level simplifies communication with the paving team

### Ultimate screed performance

- Range of screeds to pave up to 9 meters
- VB 79 for all profiles, including special crown
- Quick-coupling for easy vario screed extension assembly\*
- Fully hardened tamper bars significantly extend lifetime

### The operator's choice

- A very low noise level simplifies communication with the paving team
- All-weather roof with sliding extensions
- Footrests, armrests, extendable seats
- Warm air outlet, cup holder, USB ports
- Unhampered visibility around the paver
- Glazed areas at the side of the platform
- Near-field mirrors
- Home light functionality for the platform light

### Keep on working

- Service Interval Manager notifies the operator of required maintenance
- Ground level access to fuel tank, emulsion tank and AdBlue filler neck
- Central lubrication point, accessed from the platform
- CareTrack advanced telematics system
- Service access from the platform provides ease of maintenance
- MATRIS provides expert analysis of machine operating activity

\*AN ABG EXCLUSIVE FEATURE

**AMMANN**

# ABG 6870

## EU Stage V

ENGINE		ABG 6870
MANUFACTURER		Volvo (Deutz)
MODEL		D6J
FUEL		Diesel
OUTPUT	kW	129
	hp	175.4
AT ENGINE SPEED	r/min	2 000
COOLANT		Liquid
FUEL TANK CAPACITY	l	200
EXHAUST EMISSION		EU Stage V

### PAVING

OUTPUT (THEORETICAL)*	t/h	700
MAT THICKNESS (MAX)	mm	300

\*The actual paving output depends upon the mat thickness, the paving width and paving speed and will vary according to paving conditions prevailing on your jobsite.

### SPEED

PAVING (MAX)	m/min	40
TRANSPORT (MAX)	km/h	20

### PROPULSION

DRIVE UNITS REAR		2
DRIVE UNITS FRONT		4

### WHEEL/TYRES

REAR WHEELS		
TYPE		Pneumatic tyres
NUMBER		2
DIMENSION		385/95R25
FRONT STEERING WHEELS		
TYPE		Elastic tyres
NUMBER		4
DIAMETER	mm	580
WIDTH	mm	340

### CONVEYOR

HOPPER CAPACITY	t	13
NUMBER OF CONVEYORS		2
CONVEYOR SPEED (MAX)	m/min	21.5

### AUGER

NUMBER OF AUGERS		2
SPEED (MAX)	1/min	90
DIAMETER	mm	360

### OPERATING WEIGHTS<sup>1</sup> OF SCREEDS IN KG<sup>2</sup> AT WORKING WIDTH

ABG 6870	5 m	6 m	6.5 m	7.5 m	8 m	8.5 m	9 m
VB78 ETC	3 600	-	5 222	5 802	6 342	-	6 923
VB79 ETC	4 050	-	5 672	5 252	-	-	-
VB88 ETC	-	4 050	-	5 772	-	6 532	6 892
VB89 ETC	-	4 450	-	6 222	-	-	-

<sup>1</sup>Including auger extensions, channel plates, end gates, towing arms rear, etc.

<sup>2</sup>All screeds electrically heated

### DIMENSIONS

		ABG 6870
LENGTH WITH VARIO SCREED (WALKWAY UP)	mm	6 152
LENGTH	mm	6 402
WIDTH	mm	2 548
HEIGHT	mm	3 837
HEIGHT (TRANSPORT)	mm	2 970

### WEIGHT

TRACTOR UNIT	kg	14 300
--------------	----	--------

All weights are approx. weights without options.

Weight of the tractor: 75 kg operator, tyres filled with water, Diesel tank half-full and weather roof included.

### MAX. ALLOWABLE GRADEABILITY

TRACTOR UNIT + SCREED	%	25
-----------------------	---	----

Applies to screed VB 78 2.5-5.0 m.

When using extensions the max. allowable gradeability will be reduced.

### SOUND LEVEL

L <sub>PA</sub> Driver's ear, according to ISO 11201	dB	84
L <sub>WA</sub> Guaranteed sound power level according to ISO 6395 / Directive 2000/14/EC	dB	104

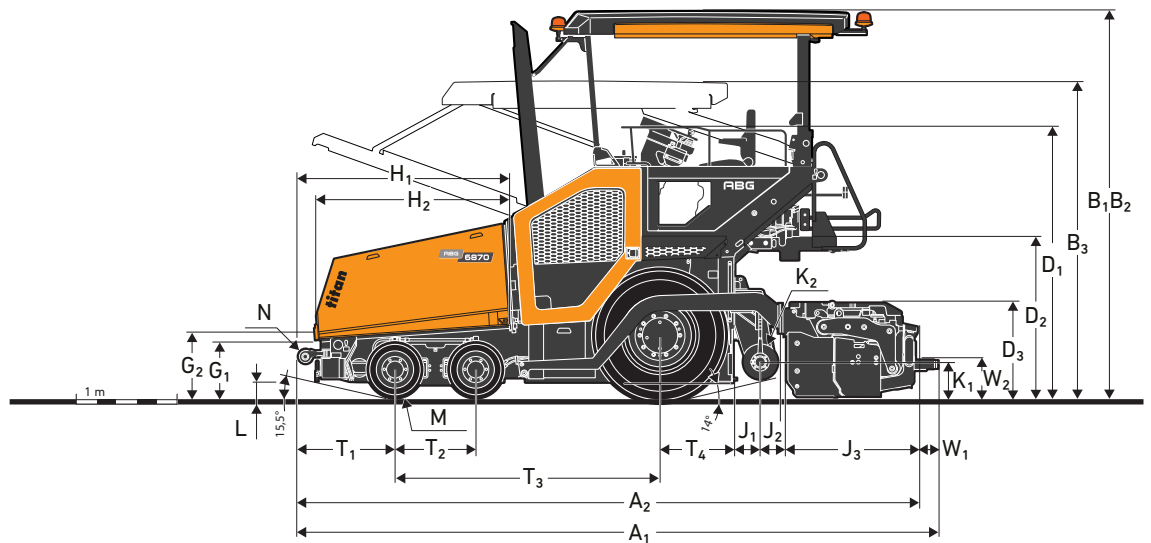
### VIBRATION

HAND-ARM VIBRATION according to ISO 5349:2001	m/s <sup>2</sup>	<2.5
WHOLE BODY VIBRATION according to ISO 2631:1997	m/s <sup>2</sup>	<0.5

### ELECTRICAL SYSTEM

BATTERY VOLTAGE	V	24
-----------------	---	----

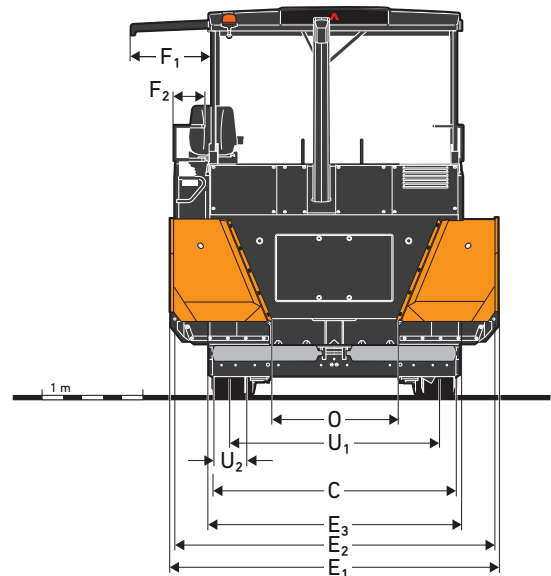
# WHEELED ASPHALT PAVERS



## DIMENSIONS [mm]

## ABG 6870

A <sub>1</sub>	OPERATING LENGTH	6 402
A <sub>2</sub>	SHIPPING LENGTH	6 152
B <sub>1</sub>	OPERATING HEIGHT	3 837
B <sub>2</sub>	HEIGHT WEATHER ROOF	3 837
B <sub>3</sub>	SHIPPING HEIGHT	2 970
C	TRACTOR WIDTH	2 548
D <sub>1</sub>	HEIGHT RAILING	2 700
D <sub>2</sub>	DECK HEIGHT	1 605
D <sub>3</sub>	SCREED HEIGHT	938
E <sub>1</sub>	OUTER HOPPER WIDTH	3 256
E <sub>2</sub>	INNER HOPPER WIDTH	3 176
E <sub>3</sub>	WIDTH OSCILLATING BEAM	2 495
F <sub>1</sub>	EXTENSION WEATHER ROOF	770
F <sub>2</sub>	SEAT CONSOLE EXTENSION	317
G <sub>1</sub>	INNER LOADING HEIGHT	592
G <sub>2</sub>	OUTER LOADING HEIGHT	688
H <sub>1</sub>	HOPPER LENGTH TO PUSH ROLLER	2 118
H <sub>2</sub>	HOPPER LENGTH	1 939
J <sub>1</sub>	DISTANCE REAR WALL AUGER CENTRE	275
J <sub>2</sub>	DISTANCE AUGER CENTRE SCREED	265
J <sub>3</sub>	SCREED DEPTH	1 297
K <sub>1</sub>	AUGER HEIGHT TO GROUND (CENTER)	350-60
K <sub>2</sub>	DIAMETER AUGER	360
L	GROUND CLEARANCE	145
M	DIAMETER WHEEL	540
N	DIAMETER PUSH ROLLER	160
O	CONVEYOR WIDTH	1 270
S <sub>1</sub>	BASIC SCREED WIDTH VB78+VB79	2 500
	BASIC SCREED WIDTH VB88	3 000
S <sub>2</sub>	EXTENDED SCREED WIDTH VB78+VB79	5 000
	EXTENDED SCREED WIDTH VB88	6 000
T <sub>1</sub>	FRONT WHEEL/TRACK TO PUSH ROLLER	970
T <sub>2</sub>	DISTANCE FRONT WHEELS	800
T <sub>3</sub>	TRACK LENGTH/WHEEL BASE	2 625
T <sub>4</sub>	TRACK/WHEEL DISTANCE TO REAR WALL	720
U <sub>1</sub>	WHEEL/TRACK GAUGE	2 076
U <sub>2</sub>	TRACK PAD WIDTH/WHEEL WIDTH	340
W <sub>1</sub>	WIDTH OF WALKWAY	305
W <sub>2</sub>	HEIGHT OF WALKWAY	434



# EQUIPMENT

## STANDARD EQUIPMENT

### Engine

- Volvo (Deutz) Diesel engine, EU Stage V

### Drive

- Electronic drive control
- Independent rear wheel drives
- Driven front axle 2x4
- Hydraulic ride levelers
- Load dependent efficient drive system
- Active steering
- Rear wheels with ballast

### Material management

- Heavy push rollers
- Proportional conveyor control
- Proportional ultrasonic auger control
- Four individual hydrostatic drives for conveyors and augers
- Reversible direction of auger rotation
- Hydraulic auger height adjustment

### Electrics and electronics

- Electronic Paver Management (EPM 3)
- Back-lit controls
- ECO mode adaptive
- Settings Manager
- Service Interval Manager
- Steering angle indication
- Head of material indication
- Adjustable and slidable control station

- Two adjustable and revolving screed control panels
- Battery master switch
- Electric switch cabinet
- Back-up alarm
- Fuel theft detection
- Tool kit
- MATRIS support

### Structure

- Manual folding all-weather roof Glass-fibre Reinforced Plastic (GRP)
- Two seats, laterally extendable
- Integrated vandalism protection
- Near field mirrors at weather roof
- ABG Key
- Storage compartments under both seats
- Cup holder
- USB charging sockets

### Screed

- Split towing arms
- Screed lock
- Hydraulic crown adjustment VB screeds
- 24V sockets at screed distribution box

### Lights

- Operator's platform lighting
- Home light function
- Lamp levelling scale LED

### Environmental

- Sound insulation for engine compartment and operator station

## OPTIONAL EQUIPMENT

### Drive

- Driven front axle 4x4

### Material management

- Heavy duty auger
- Soft Dock
- Smart Dock
- Individually operating hopper wings
- Hydraulically operated front apron
- Protective half shells for auger shaft
- Auger extensions and additional auger bearings
- Heavy duty conveyor cover
- Reversible conveyor
- Central lubrication

### Electrics and electronics

- Integrated levelling
- Four 230V power sockets
- Lateral emergency stop
- Traction isolator switch
- CareTrack, GSM installation
- CareTrack, Satellite installation
- Pave Assist (Co-Pilot system)
- Smart View camera system
- Levelling equipment
- Transport case for EPM 3 control panels

### Structure

- StVZO-Kit 11,5 t for Germany
- StVZO-Kit 12 t for Austria
- Homologation 12 t for Switzerland
- Homologation for Italy

- Electrohydraulic powered weather roof
- Deluxe seats with heating
- Front windscreen incl. wiper and washer system
- Tarpaulin side curtains for weather roof
- Custom colours
- Front ballast weight

### Screed

- Screed assist
- Screed tensioning device
- Screed spacer blocks
- Hydraulic height adjustment of extendable screed
- Special profiles VB 79, VB 89
- Hydraulically adjustable Power-Float screed end gates
- Heatable screed end gate

### Lights

- Basic Kit Halogen
- Basic Kit LED
- Work Plus Kit LED
- Full Night Kit LED
- Warning beacons LED
- Two balloon lights LED
- Road travel lighting left-hand traffic
- Road travel lighting right-hand traffic

### Environmental

- Extractor for bituminous fumes
- Emulsion spraying system incl. hose reel
- High performance spray cleaning unit
- Biodegradable hydraulic oil